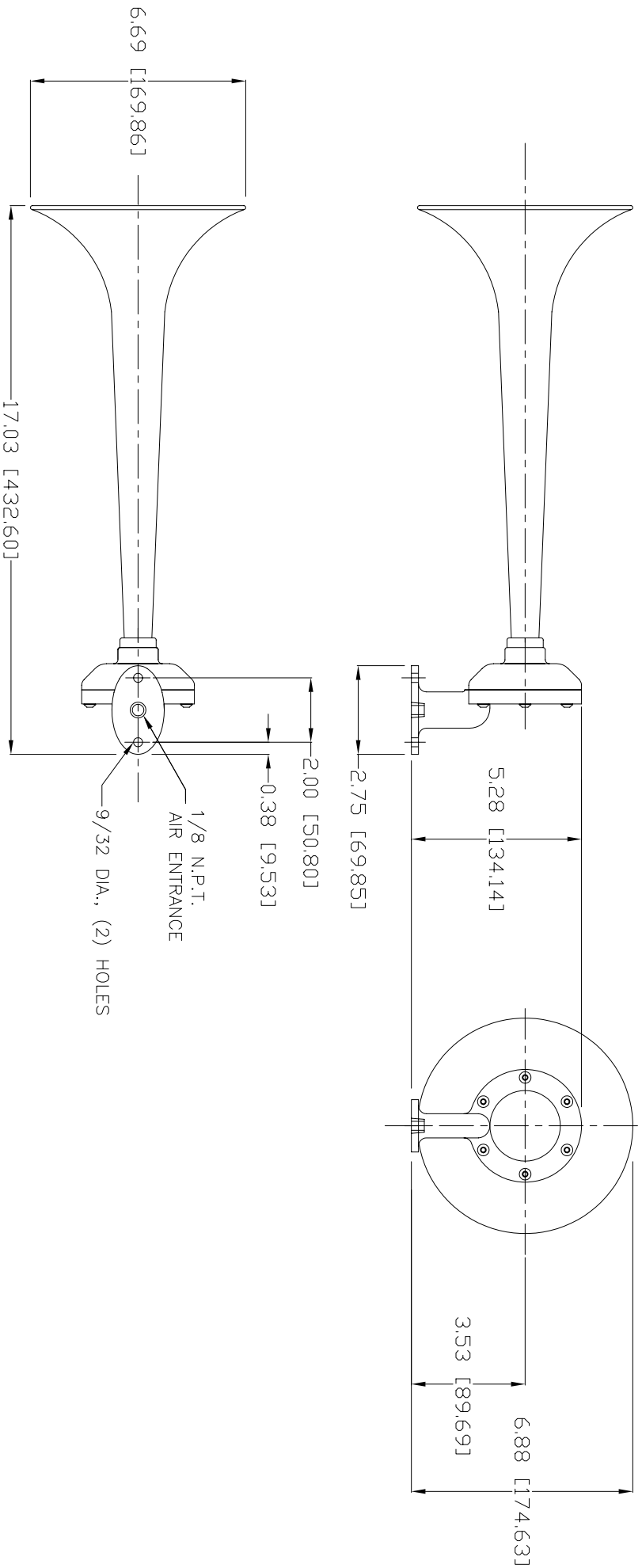


Conforming to International Maritime Regulations  
For Vessels Less Than 20 Meters in Length



**TECHNICAL DATA**

Frequency: 322 Hz  
 Sound Pressure Level (dB(A) @ 1 meter): 131.0 dB  
 Sound Pressure Level (1/3 octave at 1 meter): 122.9 dB  
 Air Consumption: 9 C.F.M. @ 100 P.S.I.  
 Air Pressure Req: 50 to 200 P.S.I.  
 Electric Power: N/A  
 Material: Spun Brass and Cast Bronze  
 Net Weight: 4.75 Lbs.  
 Shipping Weight: 9 Lbs.

Price: \$ \_\_\_\_\_ U.S.D. Net. Ea.  
 (Valid for 60 days, F.O.B. Two Rivers, WI. U.S.A.)



KAHLENBERG BROS. CO. TWO RIVERS, WI. U.S.A.

**OUTLINE DIMENSIONS  
MODEL S-0A AIRHORN**

DATE	DRWG. NO.	REV.
06/12/03	3-6236	0 EMK