

Model KB-30A Electronic Horn/Hailer

The Kahlenberg KB-30A is an Electronic Horn/Hailing system for marine use that produces a horn signal in excess of 130 dB (1/3 Octave Band) as required for vessels up to 75 meters in length, as well as voice amplification and amplification of additional audio sources. The KB-30 System consists of two major components being the horn/driver unit, and control/microphone unit.



- **100 Watts of Horn and Hailing Power**
- **Automatic Restricted Visibility and Maneuvering Codes including SOLAS General Alarm Code**
- **Type Approved for Vessels up to 75 Meters in Length**
- **Attractive Console Mount M-511D Control with remote console mount microphone jack included**
- **Full Time Heater included to eliminate moisture and prevent freezing in horn driver unit**
- **Auxiliary Audio Inputs Included**

TECHNICAL DATA

Fundamental Frequency: 695 Hz

S.P.L. (1/3 Octave @ 1 Meter): 133 dB

S.P.L. (dB(A)): 132 dB

Electrical Power Required:

24 Volt D.C., 100 Watts

Ingress Protection: IP66

Material:

Aluminum Alloy, Stainless Steel Fasteners, Steel Mounting Bracket

Operating Temperature Range:

-30 deg. F (-34 C)-120 deg. F (49 C.)

Net Weight: 13 lbs., 5.9 kg.,

Finishes:

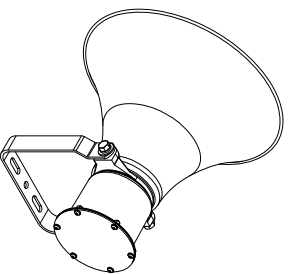
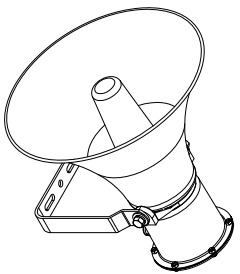
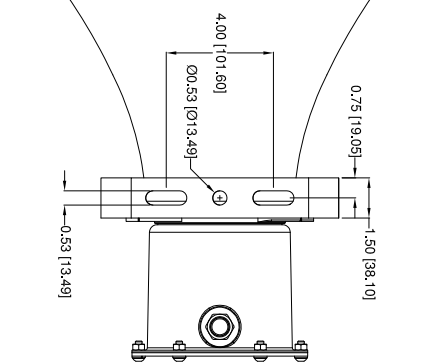
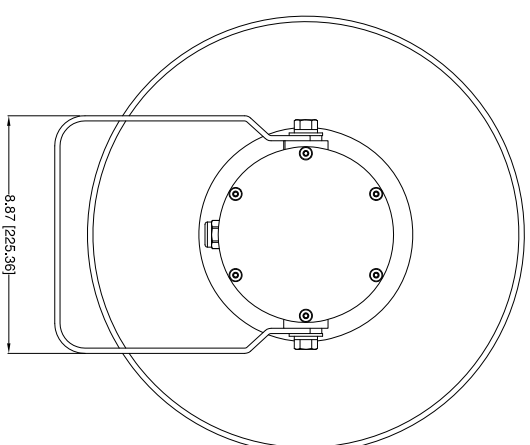
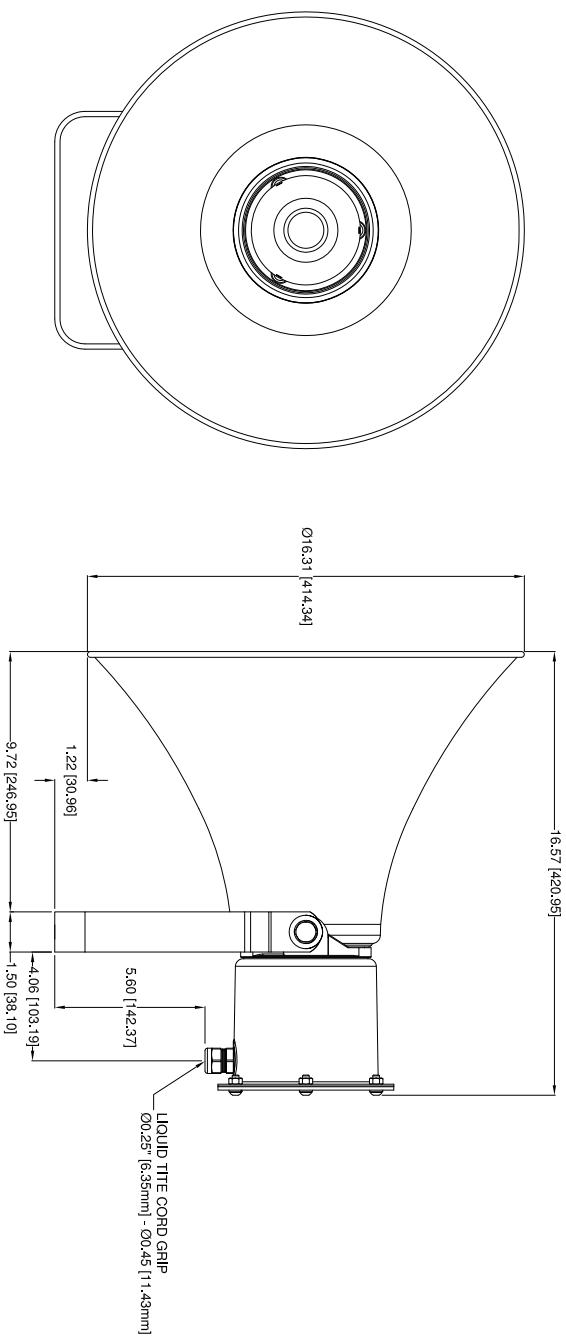
Matterhorn (Sky White) Epoxy

Dimensions:

16.5" x 16.3" x 17.5" (420x414x445)

** KB-30A Horn is pictured with removable black edge guard. Black edge guard may be removed for improved aesthetics on pleasure craft if desired.

Conforming to International Maritime Regulations
For Vessels Less Than 75 Meters in Length



CONFIDENTIAL

INFORMATION CONTAINED HEREIN IS CONFIDENTIAL. IT IS THE PROPERTY OF KAHLBERG INDUSTRIES INC. IT IS TO BE USED SOLELY FOR THE PURPOSE PROVIDED AND IT IS NOT TO BE DISCLOSED TO OTHERS WITHOUT THE PRIOR WRITTEN CONSENT OF KAHLBERG INDUSTRIES INCORPORATED.



KAHLBERG INDUSTRIES INC.

TWO RIVERS, WI, U.S.A.

**OUTLINE DIMENSIONS
KB-30A ELECTRONIC HORN**

TECHNICAL DATA

Frequency: 695 Hz
Sound Pressure Level (dB(A) at 1 meter): 132dB
Sound Pressure Level (1/3 octave at 1 meter): 133dB
Electric Power: 24 V.D.C.
Power Consumption: 100 Watts
Protection of Ingress: IP66
Temperature Range: -30°F (-34°C) to 120°F (49°C)
Material (Projector): Spun Aluminum
(Driver): Aluminum Alloy
(Mounting Bracket): Steel
Finish: Matterhorn White Epoxy
Net Weight: 13 Lbs.
Shipping Weight: 21 Lbs.

Price: \$ _____ U.S.D. Net. Ea.
(Valid for 60 days, F.O.B. Two Rivers, WI, U.S.A.)

PARTS LIST: 3-6730
CAGE: 75214

Copyright Kahlberg Inc, Inc. 2010

REV.	BY	DATE	DESCRIPTION	APP'D.
ZUN	EMK	11/26/12		

DR.	DATE	CKD.	SCALE	DRWG. NO.	REV.
ZUN	11/26/12	EMK	N.T.S.	3-6725	