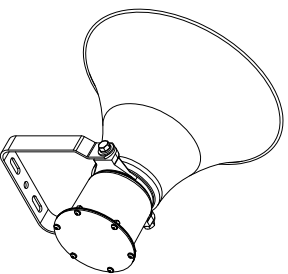
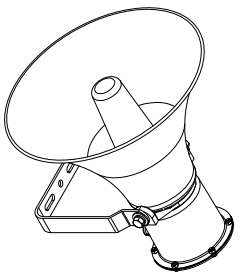
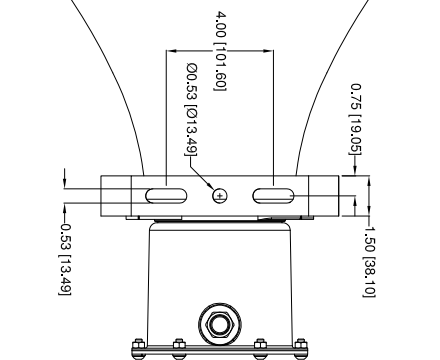
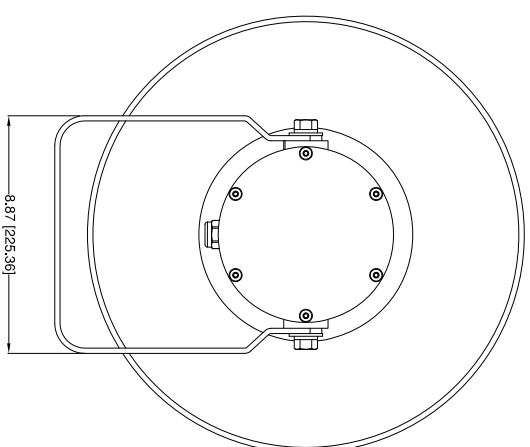
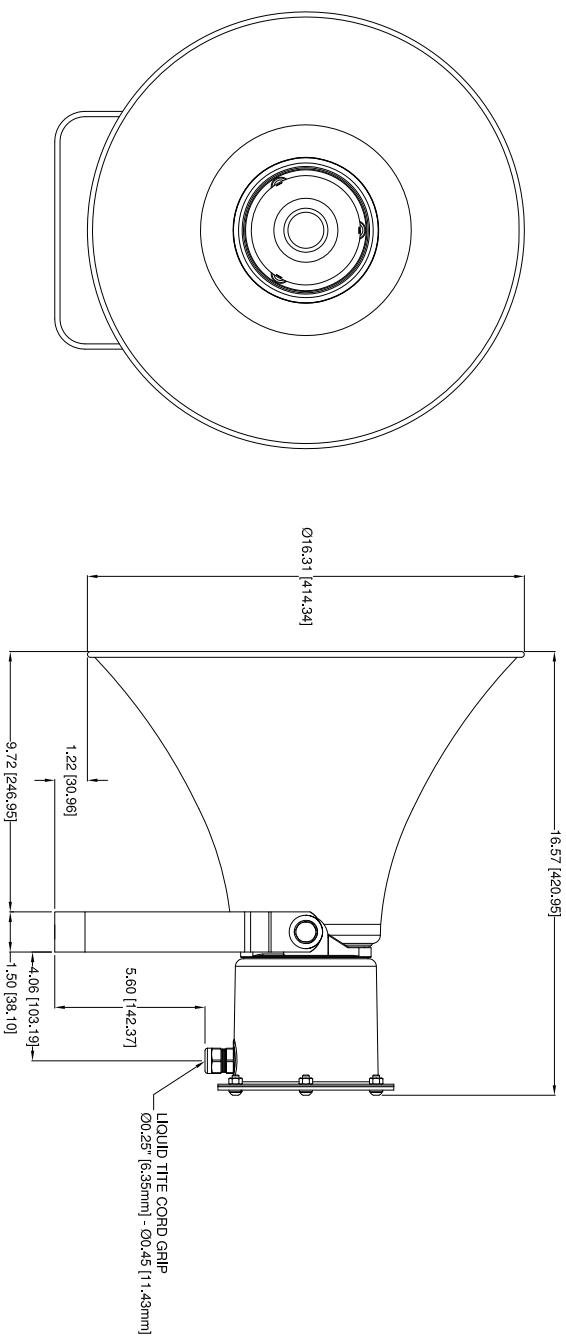


Conforming to International Maritime Regulations
For Vessels Less Than 75 Meters in Length



CONFIDENTIAL

INFORMATION CONTAINED HEREIN IS CONFIDENTIAL. IT IS THE PROPERTY OF KAHLBERG INDUSTRIES INC. IT IS TO BE USED SOLELY FOR THE PURPOSE PROVIDED AND IT IS NOT TO BE DISCLOSED TO OTHERS WITHOUT THE PRIOR WRITTEN CONSENT OF KAHLBERG INDUSTRIES INCORPORATED.

PARTS LIST: 3-6730
CAGE: 75214

TECHNICAL DATA

Frequency: 695 Hz
Sound Pressure Level (dB(A) at 1 meter): 130dB
Sound Pressure Level (1/3 octave at 1 meter): 131dB
Electric Power: 24 V.D.C.
Power Consumption: 100 Watts
Protection of Ingress: IP66
Temperature Range: -30°F (-34°C) to 120°F (49°C)
Material (Projector): Spun Aluminum
(Driver): Aluminum Alloy
(Mounting Bracket): Steel
Finish: Matterhorn White Epoxy
Net Weight: 13 Lbs.
Shipping Weight: 21 Lbs.

Price: \$ _____ U.S.D. Net. Ea.
(Valid for 60 days, F.O.B. Two Rivers, WI, U.S.A.)

KAHLBERG INDUSTRIES INC.

TWO RIVERS, WI, U.S.A.



OUTLINE DIMENSIONS
KB-30A ELECTRONIC HORN

DR.	DATE	CKD.	SCALE	DRWG. NO.	REV.
ZUN	11/26/12	EMK	N.T.S.	3-6725	

REV.	BY	DATE	DESCRIPTION	APP'D.

