



SOUND SIGNALING EQUIPMENT

Accessories - Air Compressors

Model KA2000 Compressor System

The Kahlenberg KA2000 Marine Duty Compressed Air System is a quiet, oil-less, compressor solution incorporating a Jun-Air compressor, specifically arranged for marine use.



Technical Details

Voltage: Any Common A.C. Voltage 50/60 Hz
Motors: 1.5 HP, 1.1 kW
Max Current: 16.6A @120 Volts, 8.3A @ 230 Volts
Displacement: 7.49 CFM, 212 l/min
FAD @ 8 bar: 3.88 CFM, 110 l/min
Max Pressure: 150 p.s.i., 10.31 bar
Weight: 163 lbs., 74 kg, Compressor and Tank
Noise Level: 74 dB(A)@ 1 meter
Thermal Protection: Yes
Duty Cycle: 100% Continuous
Vibration Isolated: Yes

Features and benefits of the KA2000 include:

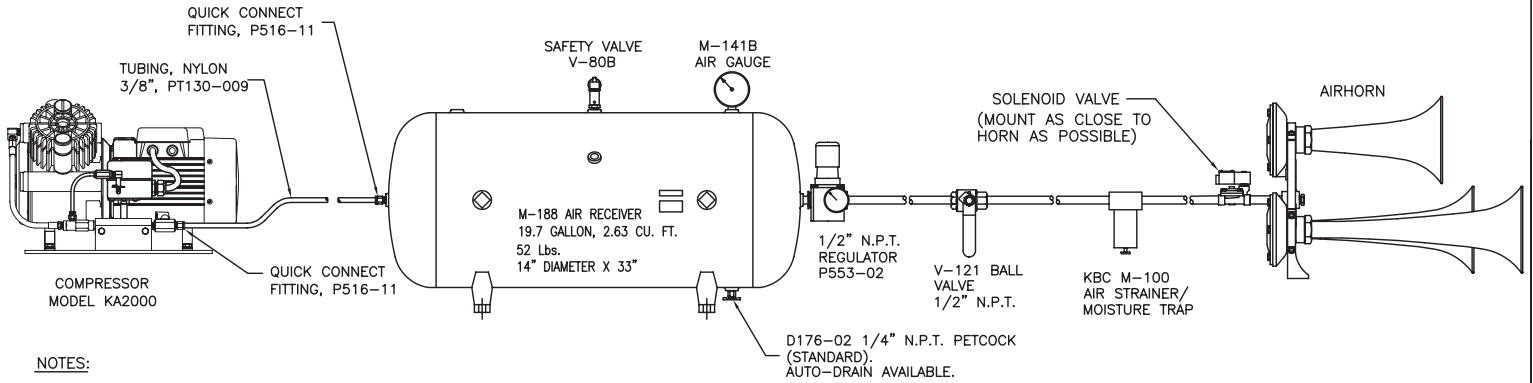
- ✦ **Quiet Operation:** 74dB(A) @ 1 meter
- ✦ **Oil-less, Continuous Duty Operation:**
(minimizes maintenance by eliminating oil in air lines)
- ✦ **Regulated Output:** Included air regulator allows for controlled air consumption without reducing volume of air available in the system.
- ✦ **Easy Installation:** Fittings, ASME air tank, and tubing are supplied, as are safety valve, air gauge, and ball valves. All fittings are instant connect. The only wiring required is connection of the compressor assembly to line voltage.

The KA2000 Compressor System provides output sufficient for Kahlenberg Air Horn Models D-3A, T-2, and T-3A.

**Kahlenberg Industries, Inc.
1700 12th Street, P.O. Box 358
Two Rivers, WI 54241 U.S.A.**

www.kahlenberg.com

REV.	BY	DATE	DESCRIPTION	APP'D.
A	ZJN	08/21/07	ADDED AIR RECEIVER DIMENSIONS	EMK



NOTES:

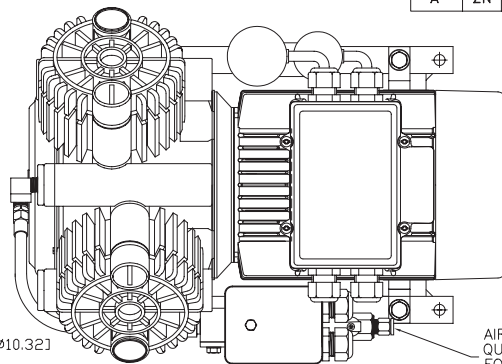
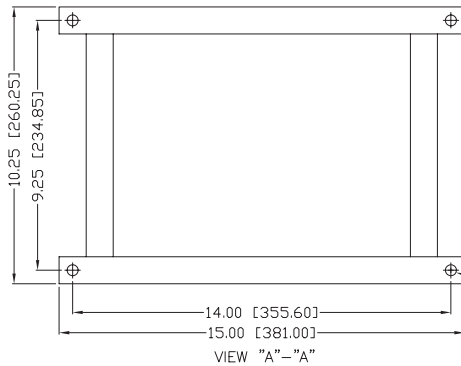
- 1.) TANK CAN BE INSTALLED IN HORIZONTAL OR VERTICAL POSITION. TANK INSPECTION (SIGHT) OPENINGS AND TANK NAMEPLATES SHOULD BE ACCESSIBLE AND FACE INBOARD.
- 2.) ALL PIPING SHOULD SLOPE TO AN ACCESSABLE MOISTURE DRAIN POINT. IT IS RECOMMENDED THAT ADDITIONAL MOISTURE TRAPS BE PLACED AT THE BOTTOM OF ALL VERTICAL PIPING RUNS.
- 3.) THE MAIN AIR LINE SHOULD NOT BE SMALLER THAN THE COMPRESSOR OUTLET SIZE.
- 4.) CHECK ALL PIPING AND FITTINGS REGULARLY TO AVOID LEAKS IN THE SYSTEM. FILTERS, REGULATORS AND OTHER ACCESSORIES SHOULD ALSO BE PROPERLY MAINTAINED.
- 5.) PIPING RUNS SHOWN ARE SCHEMATIC ONLY.
- 6.) THIS DRAWING IS INTENDED TO BE USED IN CONJUNCTION WITH THE JUN AIR INSTRUCTION MANUAL FOR MODEL 2000 SERIES COMPRESSORS (SHIPPED WITH COMPRESSOR SYSTEM).
- 7.) AFTER THE AIR RECEIVER, ALL PIPING, SOLENOID VALVE, AND AIRHORN ARE SHOWN FOR REFERENCE ONLY, AND ARE NOT SUPPLIED WITH THE KA2000 COMPRESSOR SYSTEM.

Kahlenberg
KAHLENBERG BROS. CO. TWO RIVERS, WI. U.S.A.

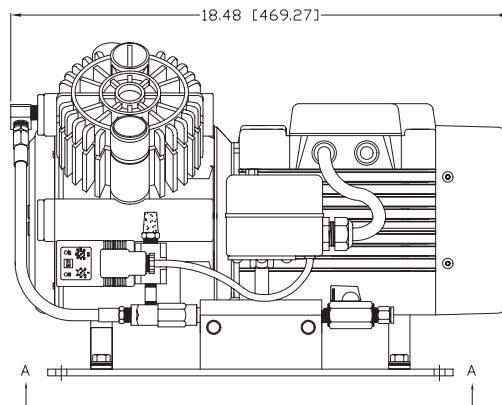
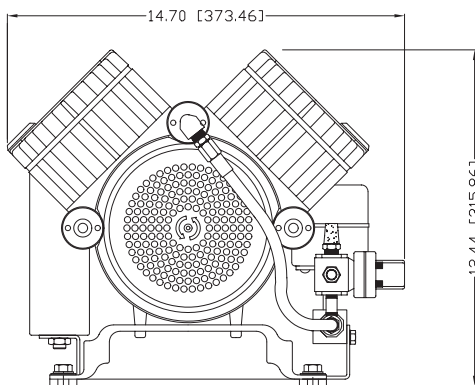
INSTALLATION DRAWING
MODEL KA2000
1.5 H.P. COMPRESSOR SYSTEM.
SUGGESTED INSTALLATION

DR.	DATE	CKD.	SCALE	DRWG. NO.	REV.
ZJN	03/04/04	EMK	N.T.S.	3-6277	A

REV.	BY	DATE	DESCRIPTION	APP'D.
A	ZN	03/06/06	REPLACED V-141 WITH V-140 & V-160	EMK



AIR OUTLET:
QUICK CONNECT FITTING
FOR 1/2" O.D. TUBING
OR 1/4" N.P.T. THREAD.



VOLTAGE: 1 PH. or 3PH.
FREQUENCY: 50/60 Hz
MOTOR: 1.5 HP, 1.1KW
MAX. CURRENT: 16.6A
DISPLACEMENT: 7.49 CFM, 212 l/min
FAD @ 8 bar: 3.88 CFM, 110 l/min
MAX. PRESSURE: 150 p.s.i., 10.31 bar
WEIGHT: 73 lbs, 33.11 kg
NOISE LEVEL db(A)/m: 74
THERMAL PROTECTION: YES
DUTY CYCLE: 100%
VIBRATION ISOLATED: YES
WIRE SIZE: 12 AWG

Kahlenberg
KAHLENBERG BROS. CO. TWO RIVERS, WI. U.S.A.

OUTLINE DIMENSIONS
MODEL KA2000
1.5 H.P. OIL-LESS COMPRESSOR

DR.	DATE	CKD.	SCALE	DRWG. NO.	REV.
ZJN	03/04/04	EMK	N.T.S.	3-6278	A