



SOUND SIGNALING EQUIPMENT

Accessories - Air Compressors

Model KA1000 Compressor System

The Kahlenberg KA1000 Marine Duty Compressed Air System is a quiet, oil-less, compressor solution incorporating Jun-Air compressors, specifically arranged for marine use.



Technical Details

Voltage: Single Phase A.C. Voltage 50/60 Hz
Motors: 1.2 HP Combined
Max Current: 15A @120 Volts, 7.5A @ 240 Volts
Displacement: 9.75 CFM, 276 l/min
FAD @ 8 bar: 3.11 CFM, 88 l/min
Max Pressure: 150 p.s.i., 10.31 bar
Weight: 126 lbs., 57 kg, Compressor and Tank
Noise Level: 69 dB(A)@ 1 meter
Thermal Protection: Yes
Duty Cycle: 100% Continuous
Vibration Isolated: Yes
Wire Size: 14 AWG

Features and benefits of the KA1000 include:

- ✦ **Quiet Operation:** 69dB(A) @ 1 meter
- ✦ **Oil-less, Continuous Duty Operation:**
(minimizes maintenance by eliminating oil in air lines)
- ✦ **Regulated Output:** Included air regulator allows for controlled air consumption without reducing volume of air available in the system.
- ✦ **Easy Installation:** Fittings, ASME air tank, and tubing are supplied, as are safety valve, air gauge, and ball valves. All fittings are instant connect. The only wiring required is connection of the compressor assembly to line voltage.

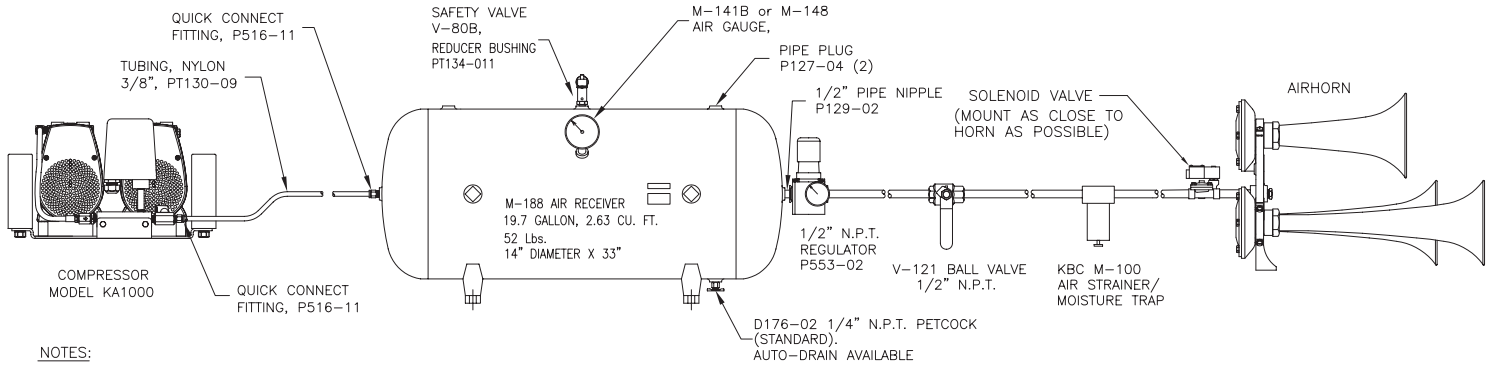
The KA1000 Compressor System provides output sufficient for Kahlenberg Air Horn Models D-1, D-2, and T-1.

**Kahlenberg Industries, Inc.
1700 12th Street, P.O. Box 358
Two Rivers, WI 54241 U.S.A.**

www.kahlenberg.com

3-6275

REV.	BY	DATE	DESCRIPTION	APP'D.
A	ZJN	08/21/07	ADDED AIR RECEIVER DIMENSIONS	EMK



NOTES:

- 1.) TANK CAN BE INSTALLED IN HORIZONTAL OR VERTICAL POSITION. TANK INSPECTION (SIGHT) OPENINGS AND TANK NAMEPLATES SHOULD BE ACCESSIBLE AND FACE INBOARD.
- 2.) ALL PIPING SHOULD SLOPE TO AN ACCESSIBLE MOISTURE DRAIN POINT. IT IS RECOMMENDED THAT ADDITIONAL MOISTURE TRAPS BE PLACED AT THE BOTTOM OF ALL VERTICAL PIPING RUNS.
- 3.) THE MAIN AIR LINE SHOULD NOT BE SMALLER THAN THE COMPRESSOR OUTLET SIZE.
- 4.) CHECK ALL PIPING AND FITTINGS REGULARLY TO AVOID LEAKS IN THE SYSTEM. FILTERS, REGULATORS AND OTHER ACCESSORIES SHOULD ALSO BE PROPERLY MAINTAINED.
- 5.) PIPING RUNS SHOWN ARE SCHEMATIC ONLY.
- 6.) THIS DRAWING IS INTENDED TO BE USED IN CONJUNCTION WITH THE JUN AIR INSTRUCTION MANUAL FOR MODEL OF302 SERIES COMPRESSORS (SHIPPED WITH COMPRESSOR SYSTEM).
- 7.) ALL PIPING/TUBING AFTER THE AIR RECEIVER SHALL BE SUPPLIED BY THE CUSTOMER.

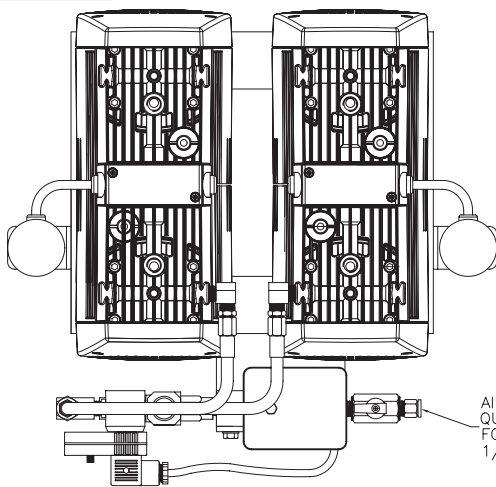
Kahlenberg
KAHLENBERG BROS. CO. TWO RIVERS, WI. U.S.A.

INSTALLATION DRAWING
MODEL KA1000
SUGGESTED INSTALLATION

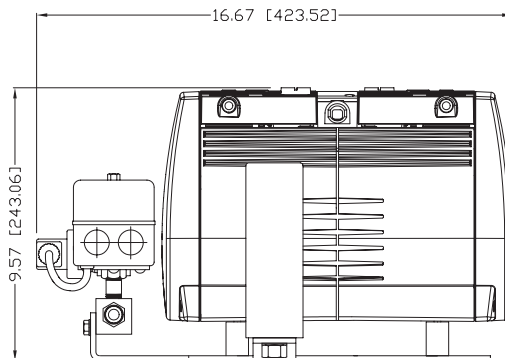
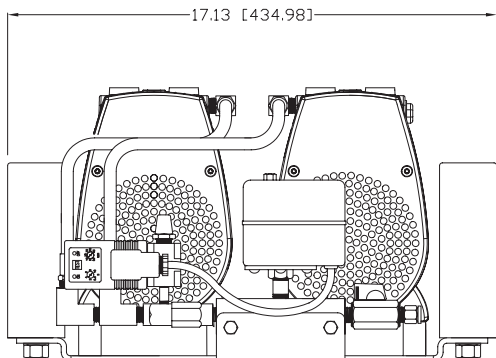
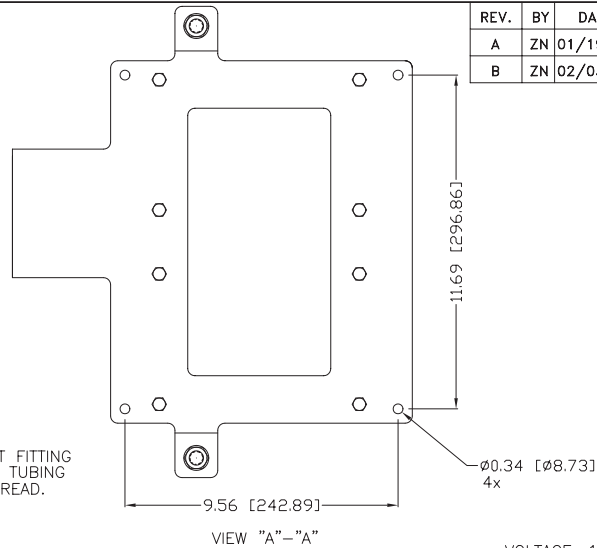
DR.	DATE	CKD.	SCALE	DRWG. NO.	REV.
ZJN	06/10/04	EMK	N.T.S.	3-6275	A

3-6281

REV.	BY	DATE	DESCRIPTION	APP'D.
A	ZN	01/19/05	ADDED CHECK VALVES	EMK
B	ZN	02/03/05	ADDED V-160 AUTO DRAIN	EMK



AIR OUTLET:
QUICK CONNECT FITTING
FOR 3/8" O.D. TUBING
1/4" N.P.T. THREAD.



VOLTAGE: 110/220 V.A.C., 120/240 V.A.C.
 FREQUENCY: 50/60 Hz
 MOTOR: 1.2 HP, 0.9KW
 MAX. CURRENT: 15A/7.5A
 DISPLACEMENT: 9.75 CFM, 276 l/min
 FAD @ 8 bar: 3.11 CFM, 88 l/min
 MAX. PRESSURE: 150 p.s.i., 10.31 bar
 WEIGHT: 73 lbs, 33.11 kg
 NOISE LEVEL db(A)/1m: 69
 THERMAL PROTECTION: YES
 DUTY CYCLE: 100%
 VIBRATION ISOLATION: YES
 WIRE SIZE: 14AWG

Kahlenberg
KAHLENBERG BROS. CO. TWO RIVERS, WI. U.S.A.

OUTLINE DIMENSIONS
MODEL KA1000 OIL-LESS
COMPRESSOR

DR.	DATE	CKD.	SCALE	DRWG. NO.	REV.
ZJN	05/28/04	ZJN	N.T.S.	3-6281	B