



## SOUND SIGNALING EQUIPMENT

Accessories - Air Compressors

### Model P449-13/P449-14 Compressor System

The Kahlenberg P449-13/P449-14 Compressed Air System is a quiet, oil-less compressor solution incorporating two compact compressor units, specifically arranged for marine use.



#### Technical Details

**Voltage:** P449-13 12 V.D.C., P449-14 24 V.D.C.

**Max Current:** 46A @12 Volts, 28A @ 24 Volts

**FAD @ 8 bar:** 1.78 CFM, 50 l/min

**Max Pressure:** 150 p.s.i., 10.31 bar

**Weight:** 41 lbs., 18.6 kg, Compressor and Tank

**Noise Level:** 69 dB(A)@ 1 meter

**Thermal Protection:** Yes

**Duty Cycle:** 100% Continuous

**Vibration Isolated:** Yes

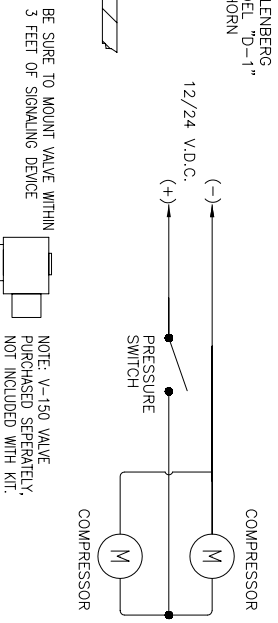
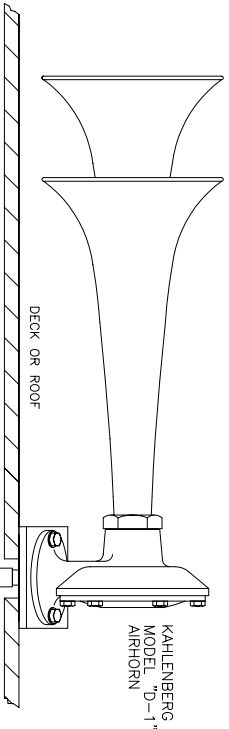
**Wire Size:** 12 AWG min.

#### Features and benefits of the P449-13/P449-14 include:

- ✦ **Quiet Operation:** 69dB(A) @ 1 meter
- ✦ **Oil-less, Continuous Duty Operation:**  
(minimizes maintenance by eliminating oil in air lines)
- ✦ **Regulated Output:** Included air regulator allows for controlled air consumption without reducing volume of air available in the system.
- ✦ **Easy Installation:** Fittings, air tank, and tubing are supplied, as are safety valve and air gauge. All fittings are instant connect. The only wiring required is connection of the compressor assembly to line voltage.

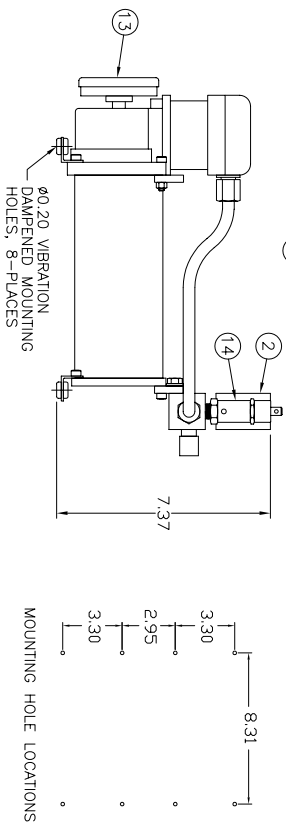
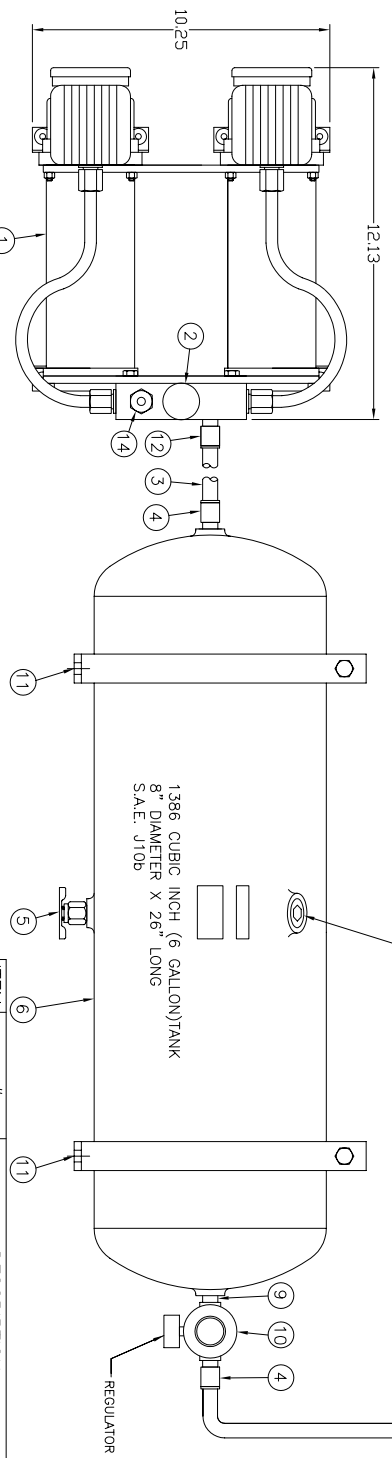
**The P449-13/P449-14 Compressor System provides output sufficient for Kahlenberg Air Horn Models S-0A, D-0A, T-0A, S-1, S-2, and D-1**

**Kahlenberg Industries, Inc.**  
1700 12th Street, P.O. Box 358  
Two Rivers, WI 54241 U.S.A.  
[www.kahlenberg.com](http://www.kahlenberg.com)



CURRENT REQUIREMENTS	
12 VOLT	46 AMP
24 VOLT	28 AMP

MOUNT COMPRESSOR ON RIGID SUPPORT IN PROTECTED AREA WITH AIR FLOW AROUND THE COMPRESSOR.  
 USE PIPE SEALANT ON ALL THREADED PIPE JOINTS.  
 PRESSURE SWITCH MAINTAINS PRESSURE BETWEEN 150 & 120 P.S.I.  
 REFER TO INSTRUCTION SHEETS FOR ALL INSTALLATION REQUIREMENTS.



MOUNTING HOLE LOCATIONS

3.30	8.31
2.95	
3.30	

ITEM	PART #	DESCRIPTION	QUAN.
1	P449-13	COMPRESSOR ASSEMBLY 12 V.D.C.	1
	P449-14	COMPRESSOR ASSEMBLY 24 V.D.C.	
2	P1148-003	PRESSURE SWITCH	1
3	P1130-009	TUBE, 3/8" O.D., BLACK	8'
4	P516-16	CONNECTOR, MALE, 3/8" N.P.T. X 3/8" O.D. TUBE	4
5	D176-02	DRAINCOCK, 1/4" N.P.T.	1
6	M-170	AIR TANK, Ø8" X 26"	1
7	P127-03	PIPE PLUG, 3/8" N.P.T.	1
8	P1130-009	TUBE, 3/8" O.D., BLACK	15'
9	P129-01	NIPPLE, CLOSE 3/8" N.P.T.	1
10	P553-04	REGULATOR, AIR, 3/8" N.P.T.	1
11	P521-06	BRACKET, TANK MOUNTING	2
12	P516-11	CONNECTOR, MALE, 1/4" N.P.T. X 3/8" O.D. TUBE	2
13	92623	FILTER/SILENCER	1
14	V-80B	SAFETY VALVE 1/4" N.P.T.	1



KAHLENBERG BROS. CO. TWO RIVERS, WI. U.S.A.  
 INSTALLATION (SUGGESTED)  
 P449-13 & P449-14  
 COMPRESSOR SYSTEMS

DR.	DATE	CKD.	SCALE	DRWG. NO.	REV.
ZUN	11/04/04	ZUN	N.T.S.	3-6317	F